

# AWSM

UNIT COOLERS BY CENTURY

AWSM Series Unit Coolers - Technical Catalog



**CENTURY**  
REFRIGERATION  
DIVISION RAE CORPORATION



DOE COMPLIANT

# Features/Applications

## Air Defrost

- For cooler applications above +35°F
- 32 models available
- Fin spacing at 4, 5, 6, or 8 per inch
- 130 foot air throw (application dependent)

## Electric Defrost

- For cooler/freezer applications down to a -40°F evaporator temperature
- 24 models available
- Fin spacing at 4, 5, or 6 per inch
- 130 foot air throw (application dependent)
- Heated and insulated drain pan and adjustable defrost termination/fan delay is standard

## Hot Gas Defrost

- For cooler/freezer applications down to a -40°F evaporative temperature
- 24 models available Fin spacing at 4, 5, or 6 per inch
- 130 foot air throw (application dependent)
- Heated (with hot gas loop) and insulated drain pan, side port connection on the distributor, one (1) check valve for TXV bypass (shipped loose) and adjustable defrost termination/fan delay are standard.

## For Use In:

- Medium/large-sized walk-in coolers and freezers
- Distribution facilities
- Dock arrangements
- Storage facilities
- And many other applications.

Locate units 26 inches from walls for best results. Condensate drain lines must be adequately heat traced in rooms below freezing. Support piping adequately with suction line "P" traps at each unit. Locate liquid line solenoid close to TXV. Use externally equalized TXV.

# Available Options

- Insulated drain pans on air defrost units
- Opposite hand connections
- Units circuited for water or glycol solutions
- Mounted non-fused fan motor disconnect switch standard with auxillary contact for liquid solenoid
- Mounted non-fused heater disconnect switch
- Mounted or shipped loose thermostatic expansion valve
- Mounted or shipped loose electronic expansion valves with or without controllers
- Various fin materials, coatings and casing arrangements available for corrosive atmosphere applications
- Stainless steel hardware, fasteners, and/or housings
- ECM Variable Speed Fan Motors
- Room thermostat, mechanical or electronic (shipped loose)
- Reheat factory mounted (contact your Century Representative for details)
- Extra legs for rack or floor mounted applications



Fully Compliant with 2020 DOE Requirements  
See AWEF Tables on Page 8 & 9

# Construction

## Cabinet

Cabinets are made of heavy-gauge, rust-proof smooth finish aluminum housing. All hardware is corrosion resistant.

## Coil

Coils are copper tube, full-collared die-formed aluminum plate fin and tube sheets. Tubes are mechanically expanded for maximum heat transfer. Coils are leak tested at 350 PSIG under water. Solder distributors have removable nozzles. Each nozzle is sized for the specified refrigerant and temperature range. All coils use an optional external equalized expansion valve. Expansion valve is located within the cabinet. The expansion valve compartment is heated during the defrost cycle on electric defrost models.

## Motors/Fans/Guards

Fan assemblies are EC axial fans that are statically and dynamically balanced for smooth operation. The permanently lubricated EC motors are fixed speed<sup>1</sup> and suitable for low temperature applications. Motors are high efficiency, full ball bearing and have internal thermal overloads. Motors are suitable for single-point group fusing. Fan motors are pre-wired to terminal blocks. The integral fan guard, and support bracket are steel, phosphated and coated in black for corrosion protection. The fan wall ring and fan blades are polypropylene.

## Refrigerants

Coils are designed for use with many refrigerants.

## Defrost

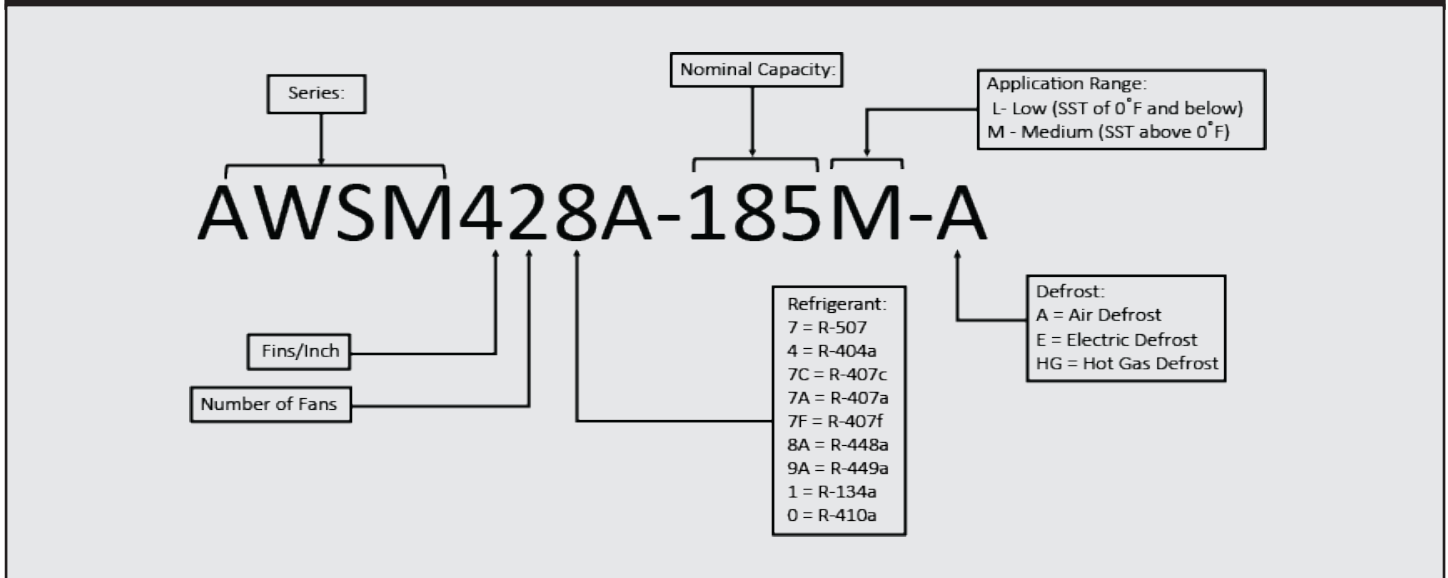
Electric Defrost models include pre-wired terminal blocks and low-watt density heaters that are housed internal to the coil for a rapid and efficient defrost. Lower coil heaters and drain pan heaters help provide fast and reliable condensate drainage. Standard operating control includes an adjustable defrost termination with fan delay.

Hot Gas Defrost models include an auxiliary side port connection on the distributor, insulated drain pan with a hot gas loop in the pan, and a check valve shipped loose. An adjustable defrost termination/fan delay switch is also provided with this option for temperature termination of the defrost period.

## Mounting

Century offers both ceiling and rack or floor mounting for each model. (Contact factory for rack or floor mounting option.)

## Nomenclature



1. EC Motors are variable speed capable, but require an optional controller to provide a speed signal to the motors.

R448a/R449a, R407c/R407a/R407f

Capacity

AWSM Series Model	CFM	FPM	Evaporating Temperature °F (80% RH with a 10°F TD)									
			-40°	-30°	-20°	-10°	0°	+10°	+20°	+25°	+35°	+45°
410-137	3,183	599	9,347	10,869	12,043	12,904	13,613	14,482	17,121	17,468	18,007	18,882
410-185	3,007	566	12,176	14,105	15,603	16,809	17,883	18,633	22,793	23,304	24,637	26,307
420-275	6,367	599	20,143	23,155	25,428	27,518	29,241	30,863	35,395	36,458	38,144	40,534
420-371	6,014	566	26,425	30,220	33,816	36,955	39,838	41,885	46,766	47,700	50,232	53,561
430-413	9,550	599	29,265	34,048	37,198	40,444	43,324	46,021	53,263	54,562	55,523	58,724
430-556	9,021	566	41,352	46,972	51,638	55,000	58,343	61,108	68,932	71,822	76,196	82,395
440-745	12,028	566	55,844	63,830	69,274	74,517	79,181	82,788	93,465	95,622	97,030	102,562
440-841	12,594	480	63,235	71,934	77,591	83,370	88,721	94,563	107,663	109,758	115,863	124,116
510-153	3,148	593	10,236	11,874	13,254	14,368	15,096	16,082	18,995	19,390	20,022	21,076
510-206	2,926	551	12,697	14,809	16,474	17,822	19,013	20,256	24,431	25,372	26,586	28,551
520-307	6,297	593	21,786	25,398	28,212	30,454	32,425	34,377	38,894	39,746	41,649	44,173
520-413	5,852	551	28,333	32,146	35,487	37,699	40,236	42,959	50,303	52,124	54,569	58,194
530-461	9,445	593	30,877	36,235	39,815	43,593	46,953	49,899	58,903	60,487	62,669	65,161
530-620	8,777	551	44,079	50,376	55,812	59,597	63,504	67,723	73,254	76,026	81,752	87,877
540-830	11,703	551	59,953	68,554	74,819	80,943	86,550	92,338	103,250	104,145	108,237	112,257
540-925	12,468	475	68,422	77,691	85,586	90,988	97,245	103,783	116,245	120,644	126,791	135,336
610-164	3,101	584	-	-	14,242	15,514	16,582	17,412	20,576	20,946	21,702	22,931
610-212	2,897	545	-	-	17,572	19,097	20,446	21,815	25,810	26,871	28,259	30,509
620-328	6,202	584	-	-	30,181	32,742	35,358	37,685	41,670	43,099	44,882	47,788
620-424	5,793	545	-	-	37,912	40,689	43,214	46,199	53,308	55,381	58,063	62,325
630-492	9,303	584	-	-	43,495	46,824	50,686	54,269	64,037	65,213	67,958	72,071
630-636	8,690	545	-	-	59,417	64,507	68,799	72,785	79,789	82,047	85,786	88,554
640-852	11,579	545	-	-	80,659	86,491	92,238	99,168	112,274	116,011	120,079	128,535
640-978	12,317	469	-	-	90,883	97,080	103,916	111,030	122,701	127,694	136,008	146,078
810-165	3,037	572	-	-	-	-	-	-	-	23,554	24,476	25,992
810-208	2,797	526	-	-	-	-	-	-	-	30,541	31,295	33,487
820-330	6,074	572	-	-	-	-	-	-	-	47,565	49,995	53,662
820-417	5,595	527	-	-	-	-	-	-	-	59,956	63,826	68,618
830-495	9,111	572	-	-	-	-	-	-	-	73,387	76,539	81,235
830-626	8,392	527	-	-	-	-	-	-	-	89,351	94,247	100,853
840-839	11,190	527	-	-	-	-	-	-	-	125,945	132,447	141,063
840-1050	12,042	459	-	-	-	-	-	-	-	137,540	147,686	159,338

Capacity Based on 10° TD.

- Ratings omitted due to face velocities or temperature limits

Recommended maximum face velocity of 625 FPM for a wet coil application.

- Low temperature applications are defined as below 20°F SST.

Catalog application ratings are outside the scope of ANSI/CAN/AHRI Standard 1250. For DOE compliant models, Net Capacities and AWEF numbers can be found at [www.regulations.doe.gov](http://www.regulations.doe.gov)

R507/R404A

Capacity

AWSM Series Model	CFM	FPM	Evaporating Temperature °F (80% RH with a 10°F TD)									
			-40°	-30°	-20°	-10°	0°	+10°	+20°	+25°	+35°	+45°
410-137	3,183	599	6,160	7,161	7,936	8,344	8,777	10,587	11,117	10,947	10,794	10,805
410-185	3,007	566	7,843	9,131	10,068	10,497	11,050	13,673	14,806	15,007	15,228	15,733
420-275	6,367	599	14,080	15,701	17,322	18,510	19,262	22,138	23,671	23,640	23,796	23,747
420-371	6,014	566	17,384	20,281	22,670	23,966	25,677	28,413	30,581	30,899	31,160	32,059
430-413	9,550	599	18,891	22,059	24,609	25,668	27,329	33,376	35,172	34,947	34,200	34,501
430-556	9,021	566	27,752	31,668	34,787	37,107	38,500	39,585	45,393	46,419	47,766	50,092
440-745	12,028	566	37,739	43,075	46,762	49,954	52,418	58,702	60,762	60,280	58,937	59,403
440-841	12,594	480	42,913	48,648	53,131	55,929	58,657	65,501	70,737	71,689	72,380	74,868
510-153	3,148	593	6,678	7,853	8,678	9,322	9,673	11,652	12,138	12,060	12,006	12,089
510-206	2,926	551	8,328	9,748	10,802	11,282	11,925	14,416	15,661	15,953	16,318	16,967
520-307	6,297	593	14,230	17,011	18,834	20,202	21,445	23,470	25,171	25,353	25,588	26,179
520-413	5,852	551	18,542	21,449	23,295	24,548	25,794	30,109	32,591	32,928	33,461	34,641
530-461	9,445	593	20,282	23,730	26,662	28,942	29,831	36,356	38,527	38,197	37,764	38,379
530-620	8,777	551	29,536	34,001	37,246	39,916	41,517	43,338	47,066	48,241	50,324	52,625
540-830	11,703	551	40,195	45,914	50,570	53,638	56,548	62,958	65,337	65,169	64,059	64,888
540-925	12,468	475	45,993	52,463	57,200	60,363	63,598	69,343	75,215	76,547	77,840	80,978
610-164	3,101	584	-	-	9,281	10,016	10,415	12,428	12,991	12,964	13,021	13,186
610-212	2,897	545	-	-	11,467	11,992	12,726	15,043	16,453	16,764	17,446	18,047
620-328	6,202	584	-	-	20,177	21,772	23,011	24,799	26,771	27,006	27,481	28,290
620-424	5,793	545	-	-	24,748	26,138	27,546	31,466	34,204	34,685	35,865	36,915
630-492	9,303	584	-	-	28,341	30,934	31,927	38,601	41,047	40,886	41,377	41,610
630-636	8,690	545	-	-	39,404	42,403	44,200	47,573	49,261	49,843	50,880	52,263
640-852	11,579	545	-	-	53,506	56,935	60,230	66,971	71,850	72,679	73,223	74,349
640-978	12,317	469	-	-	60,344	64,623	67,488	72,269	78,934	80,253	83,167	85,777
810-165	3,037	572	-	-	-	-	-	-	-	14,440	14,666	14,962
810-208	2,797	526	-	-	-	-	-	-	-	18,642	18,583	18,998
820-330	6,074	572	-	-	-	-	-	-	-	29,671	30,698	31,654
820-417	5,595	527	-	-	-	-	-	-	-	37,128	38,553	39,965
830-495	9,111	572	-	-	-	-	-	-	-	45,555	46,261	47,552
830-626	8,392	527	-	-	-	-	-	-	-	53,586	55,238	57,148
840-839	11,190	527	-	-	-	-	-	-	-	78,020	79,208	82,178
840-1050	12,042	459	-	-	-	-	-	-	-	85,354	89,306	92,728

Capacity Based on 10° TD.

- Ratings omitted due to face velocities or temperature limits

Recommended maximum face velocity of 625 FPM for a wet coil application.

- Low temperature applications are defined as below 20°F SST.

Catalog application ratings are outside the scope of ANSI/CAN/AHRI Standard 1250. For DOE compliant models, Net Capacities and AWEF numbers can be found at [www.regulations.doe.gov](http://www.regulations.doe.gov)

## Electrical Data

## Specifications

AWSM Series Model	Fan Motor Data						Defrost Heater Data				Connection (in.)			Approx. Refrig. Charge (lbs.) <sup>3</sup>	Ship Weight (lbs.)	Operating Weight (lbs.)	Sound <sup>5</sup> Pressure dB(A) 10'
	Qty.	HP	Amps			Amps <sup>2</sup>			Watts <sup>4</sup>	Liquid	Suction	Hot Gas					
			230/1	230/3	460/3 <sup>1</sup>	230/1	230/3	460/3									
410-137	1	1/2	2.2	2.2	1.8	16.9	10.3	5.2	3,880	1/2	1 1/8	1 1/8	7	271	202	65.5	
410-185	1	1/2	2.2	2.2	1.8	21.8	12.9	7.3	5,020	1/2	1 3/8	1 1/8	10	294	228	65.2	
420-275	2	1/2	4.4	4.4	3.7	32.2	19.6	9.8	7,414	1/2	1 3/8	1 1/8	12	413	326	68.5	
420-371	2	1/2	4.4	4.4	3.7	41.8	24.9	14	9,622	1 1/8	1 5/8	1 1/8	19	468	390	68.2	
430-413	3	1/2	6.6	6.6	5.5	47.6	28.9	14.5	10,954	1 1/8	2 1/8	1 3/8	18	578	449	70.3	
430-556	3	1/2	6.6	6.6	5.5	-	37	20.8	14,232	1 1/8	2 1/8	1 3/8	27	638	520	70.0	
440-745	4	1/2	8.8	8.8	7.3	-	47.4	26.6	18,250	1 1/8	2 1/8	1 5/8	36	799	659	71.2	
440-841	4	1/2	8.8	8.8	7.3	-	62.3	31.6	22,450	1 3/8	2 1/8	1 5/8	45	871	742	71.5	
510-153	1	1/2	2.2	2.2	1.8	16.9	10.3	5.2	3,880	1/2	1 1/8	1 1/8	7	274	204	65.3	
510-206	1	1/2	2.2	2.2	1.8	21.8	12.9	7.3	5,020	1/2	1 3/8	1 1/8	10	300	234	65.2	
520-307	2	1/2	4.4	4.4	3.7	32.2	19.6	9.8	7,414	5/8	1 5/8	1 1/8	12	427	341	68.3	
520-413	2	1/2	4.4	4.4	3.7	41.8	24.9	14	9,622	1 1/8	1 5/8	1 1/8	19	479	401	68.2	
530-461	3	1/2	6.6	6.6	5.5	47.6	28.9	14.5	10,954	1 1/8	2 1/8	1 3/8	18	590	461	70.1	
530-620	3	1/2	6.6	6.6	5.5	-	37	20.8	14,232	1 1/8	2 1/8	1 3/8	27	659	540	70.0	
540-830	4	1/2	8.8	8.8	7.3	-	47.4	26.6	18,250	1 1/8	2 1/8	1 5/8	36	821	680	71.2	
540-925	4	1/2	8.8	8.8	7.3	-	63.2	31.6	22,450	1 3/8	2 5/8	1 5/8	45	901	772	71.4	
610-164	1	1/2	2.2	2.2	1.8	16.9	10.3	5.2	3,880	1/2	1 1/8	1 1/8	7	280	210	65.3	
610-212	1	1/2	2.2	2.2	1.8	21.8	12.9	7.3	5,020	1/2	1 3/8	1 1/8	10	306	240	65.2	
620-328	2	1/2	4.4	4.4	3.7	32.2	19.6	9.8	7,414	5/8	1 3/8	1 1/8	12	434	348	68.3	
620-424	2	1/2	4.4	4.4	3.7	41.8	24.9	14	9,622	1 1/8	1 5/8	1 1/8	19	490	412	68.2	
630-492	3	1/2	6.6	6.6	5.5	47.6	28.9	14.5	10,954	1 1/8	1 5/8	1 3/8	18	599	469	70.1	
630-636	3	1/2	6.6	6.6	5.5	-	37	20.8	14,232	1 1/8	2 1/8	1 3/8	27	674	556	70.0	
640-852	4	1/2	8.8	8.8	7.3	-	47.4	26.6	18,250	1 1/8	2 1/8	1 5/8	36	841	701	71.2	
640-978	4	1/2	8.8	8.8	7.3	-	63.2	31.6	22,450	1 3/8	2 1/8	1 5/8	45	925	796	71.3	
810-165	1	1/2	2.2	2.2	1.8	<b>Available Air Defrost Only</b>				1/2	7/8	-	7	283	214	66.7	
810-208	1	1/2	2.2	2.2	1.8					1/2	1 1/8	-	10	313	247	66.7	
820-330	2	1/2	4.4	4.4	3.7					5/8	1 1/8	-	12	444	358	69.8	
820-417	2	1/2	4.4	4.4	3.7					1 1/8	1 3/8	-	19	505	427	69.8	
830-495	3	1/2	6.6	6.6	5.5					1 1/8	1 3/8	-	18	614	485	71.5	
830-626	3	1/2	6.6	6.6	5.5					1 1/8	1 3/8	-	27	695	576	71.5	
840-839	4	1/2	8.8	8.8	7.3					1 1/8	1 5/8	-	36	874	733	72.8	
840-1050	4	1/2	8.8	8.8	7.3					1 3/8	1 5/8	-	45	976	846	72.8	

\* Electric Defrost Models

<sup>2</sup> Value shown is total amps. For units that exceed 48 amps., two power connections are required.

<sup>†</sup> Hot Gas Defrost Models (Note: TXV Bypass - Check valves ship loose as standard)

<sup>3</sup> Refrigerant Charge based on 404a refrigerant

<sup>4</sup> Watts shown at 230. Watts reduced at 208 amperage.

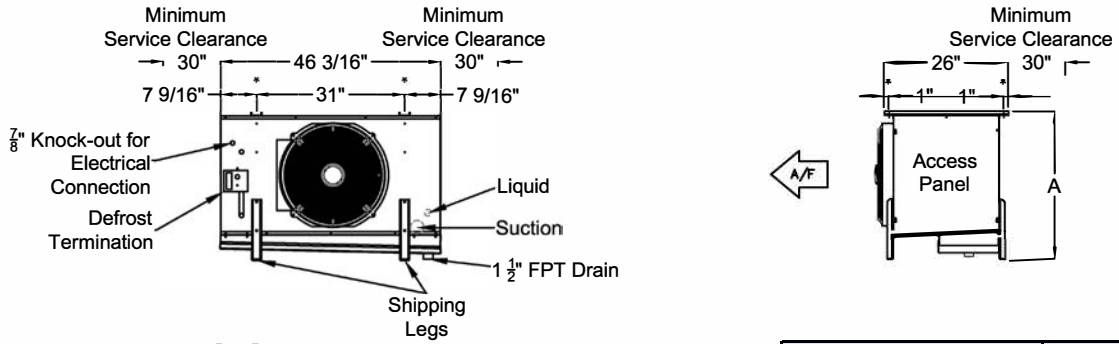
<sup>††</sup> Ship Weight includes 10% safety factor

<sup>5</sup> Sound pressure levels provided are based on free field propagation of sound. For applied sound pressure levels, surrounding reflective surfaces must be considered. Reference ASHRAE Handbooks for directivity factors and equation to estimate installed sound pressure levels.

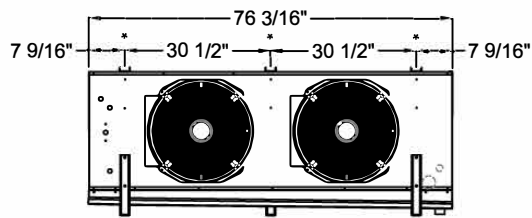
<sup>1</sup> Transformer is required for 460/3 Delta power. Fans must be wired for 277/1 when 460/3 WYE power is provided.

# Dimensions<sup>1</sup>

## One Fan Models

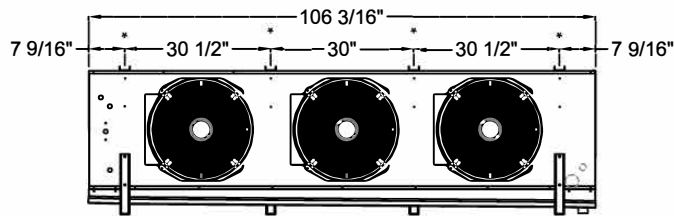


## Two Fan Models

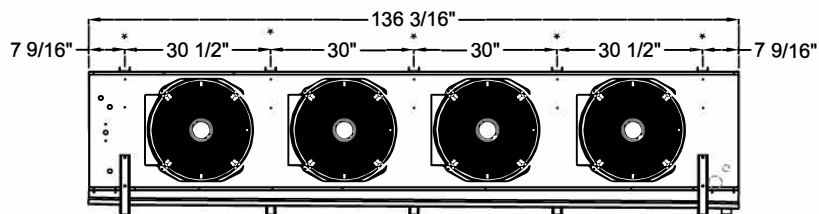


AWSM Series Model	Height
AWSM440-841E	36 15/16"
AWSM540-925E	
AWSM640-978E	
AWSM540-925A	
AWSM640-978A	
AWSM840-105A	30 15/16"
All Other Models	

## Three Fan Models



## Four Fan Models



# AWEF Tables

AWEF Data Medium Temperature Application							
Model	R448a	R449a	R407a	R407c	R407f	R507	R404a
	AWEF	AWEF	AWEF	AWEF	AWEF	AWEF	AWEF
AWSM410-137M	9.00	9.00	9.00	9.00	9.00	N/A	N/A
AWSM410-185M	9.00	9.00	9.00	9.00	9.00	9.00	9.00
AWSM420-275M	9.00	9.00	9.00	9.00	9.00	N/A	N/A
AWSM420-371M	9.00	9.00	9.00	9.00	9.00	9.00	9.00
AWSM430-413M	9.00	9.00	9.00	9.00	9.00	N/A	N/A
AWSM430-556M	9.00	9.00	9.00	9.00	9.00	9.00	9.00
AWSM440-745M	9.00	9.00	9.00	9.00	9.00	9.00	9.00
AWSM440-841M	9.00	9.00	9.00	9.00	9.00	9.00	9.00
AWSM510-153M	9.00	9.00	9.00	9.00	9.00	N/A	9.00
AWSM510-206M	9.00	9.00	9.00	9.00	9.00	9.00	9.00
AWSM520-307M	9.00	9.00	9.00	9.00	9.00	9.00	9.00
AWSM520-413M	9.00	9.00	9.00	9.00	9.00	9.00	9.00
AWSM530-461M	9.00	9.00	9.00	9.00	9.00	9.00	9.00
AWSM530-620M	9.00	9.00	9.00	9.00	9.00	9.00	9.00
AWSM540-830M	9.00	9.00	9.00	9.00	9.00	9.00	9.00
AWSM540-925M	9.00	9.00	9.00	9.00	9.00	9.00	9.00
AWSM610-164M	9.00	9.00	9.00	9.00	9.00	9.00	9.00
AWSM610-212M	9.00	9.00	9.00	9.00	9.00	9.00	9.00
AWSM620-328M	9.00	9.00	9.00	9.00	9.00	9.00	9.00
AWSM620-424M	9.00	9.00	9.00	9.00	9.00	9.00	9.00
AWSM630-492M	9.00	9.00	9.00	9.00	9.00	9.00	9.00
AWSM630-636M	9.00	9.00	9.00	9.00	9.00	9.00	9.00
AWSM640-852M	9.00	9.00	9.00	9.00	9.00	9.00	9.00
AWSM640-978M	9.00	9.00	9.00	9.00	9.00	9.00	9.00
AWSM810-165M	9.00	9.00	9.00	9.00	9.00	9.00	9.00
AWSM810-208M	9.00	9.00	9.00	9.00	9.00	9.00	9.00
AWSM820-330M	9.00	9.00	9.00	9.00	9.00	9.00	9.00
AWSM820-417M	9.00	9.00	9.00	9.00	9.00	9.00	9.00
AWSM830-495M	9.00	9.00	9.00	9.00	9.00	9.00	9.00
AWSM830-626M	9.00	9.00	9.00	9.00	9.00	9.00	9.00
AWSM840-839M	9.00	9.00	9.00	9.00	9.00	9.00	9.00
AWSM840-1050M	9.00	9.00	9.00	9.00	9.00	9.00	9.00



# AWEF Tables

AWEF Data Low Temperature Application							
Model	R448a	R449a	R407a	R407c	R407f	R507	R404a
	AWEF	AWEF	AWEF	AWEF	AWEF	AWEF	AWEF
AWSM410-137L	4.15	4.15	4.15	4.15	4.15	N/A	N/A
AWSM410-185L	4.15	4.15	4.15	4.15	4.15	N/A	N/A
AWSM420-275L	4.15	4.15	4.15	4.15	4.15	N/A	N/A
AWSM420-371L	4.15	4.15	4.15	4.15	4.15	N/A	4.15
AWSM430-413L	4.15	4.15	4.15	4.15	4.15	N/A	N/A
AWSM430-556L	4.15	4.15	4.15	4.15	4.15	4.15	4.15
AWSM440-745L	4.15	4.15	4.15	4.15	4.15	4.15	4.15
AWSM440-841L	4.15	4.15	4.15	4.15	4.15	4.15	4.15
AWSM510-153L	4.15	4.15	4.15	4.15	4.15	N/A	N/A
AWSM510-206L	4.15	4.15	4.15	4.15	4.15	N/A	N/A
AWSM520-307L	4.15	4.15	4.15	4.15	4.15	N/A	N/A
AWSM520-413L	4.15	4.15	4.15	4.15	4.15	4.15	4.15
AWSM530-461L	4.15	4.15	4.15	4.15	4.15	N/A	N/A
AWSM530-620L	4.15	4.15	4.15	4.15	4.15	4.15	4.15
AWSM540-830L	4.15	4.15	4.15	4.15	4.15	4.15	4.15
AWSM540-925L	4.15	4.15	4.15	4.15	4.15	4.15	4.15
AWSM610-164L	4.15	4.15	4.15	4.15	4.15	N/A	N/A
AWSM610-212L	4.15	4.15	4.15	4.15	4.15	4.15	4.15
AWSM620-328L	4.15	4.15	4.15	4.15	4.15	4.15	4.15
AWSM620-424L	4.15	4.15	4.15	4.15	4.15	4.15	4.15
AWSM630-492L	4.15	4.15	4.15	4.15	4.15	N/A	4.15
AWSM630-636L	4.15	4.15	4.15	4.15	4.15	4.15	4.15
AWSM640-852L	4.15	4.15	4.15	4.15	4.15	4.15	4.15
AWSM640-978L	4.15	4.15	4.15	4.15	4.15	4.15	4.15

# Notes

# Notes

## Product Benefits:

### **Adaptability**

Century systems go where others can't. Your Century system is engineered to meet your specific project application and job requirements in-house with no need for modification in the field. With Century's extensive inventory of components, your order can be shipped when you need it.

### **Durability**

Your Century system will be built with heavy gauge construction and the highest quality components to optimize efficiency for the life expectancy of your system. Century systems are engineered for Time Tested Toughness.

### **Serviceability**

Your Century system will have easily accessible components and appropriate fin spacing to allow for easy maintenance. Century systems are engineered to be serviceable with a minimal amount of OEM components. A large inventory of replacement parts ensures professional, reliable service throughout the lifetime of your Century system.

### **Reduced Total Cost of Ownership**

The adaptability, durability, and serviceability of your Century system results in reduced installation costs, maintenance costs, and utility costs throughout the lifetime of your system. Century systems are designed for customers requiring long-term, dependable systems.

## The current refrigeration market...

### **Commercial Refrigeration**

- Shipped from stock
- No modifications available; one size fits all equipment
- Lightweight construction
- Convenience store and restaurant applications
- Options/kits shipped loose for field assembly installation
- Cheaper, lower quality materials

### **Industrial Refrigeration**

- Central refrigeration plant
- Dedicated mechanical rooms
- Stationary Engineer requirements
- PLC (Microprocessor) controls
- Steel construction
- Requires extensive piping in the field

now  
presenting...

## **Comdustrial™ Refrigeration**

*Comdustrial™ Refrigeration Systems are the ideal balance of the commercial and industrial refrigeration markets.*

- Industrial quality equipment in Commercial capacity ranges
- Built-to-order refrigeration systems with exceptional lead times
- Professionally represented by systems oriented Sales Representatives
- Systems based approach to your application
- Project specific submittal packages and drawings
- Quality materials for long-term equipment life

## **ABOUT RAE CORPORATION**

RAE Corporation was founded in 1971 and is located in the MidAmerica Industrial Park in Pryor, Oklahoma. RAE employs more than 350 people, is represented throughout the country and markets equipment throughout the world. RAE manufactures air and water cooled condensing units, air and water cooled chillers, air cooled condensers, fluid coolers, heat transfer coils, industrial coils, unit coolers, corrosive environment equipment and an assortment of other engineered cooling systems, all of which are either UL- or ETL-approved. RAE has five divisions: Technical Systems, Refrigeration Systems, Century Refrigeration, RAE Coils and ZeroCool Systems.



4492 Hunt St. - Pryor, OK 74361 - (918) 825-7222 - Fax (918) 917-8028

**[www.century-refrigeration.com](http://www.century-refrigeration.com)**

We reserve the right to change or revise specifications and product design in connection with any feature of our products. Such changes do not entitle the buyer to corresponding changes, improvements, additions or replacement for equipment previously sold or shipped.